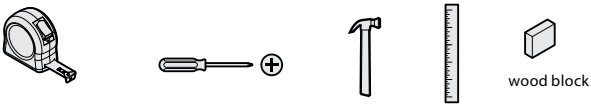


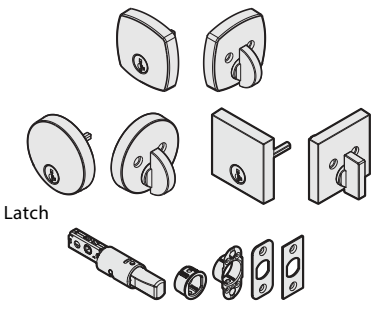
This manual can be used to install a variety of deadbolts.

*Tools



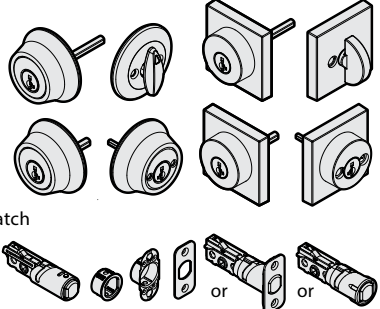
*Tools will depend on install type

For Low Profile Deadbolts Models
(258 series, Uptown, Downtown, Midtown, and San Clemente rectangular)
[Follow steps 1 through 6](#)



Latch

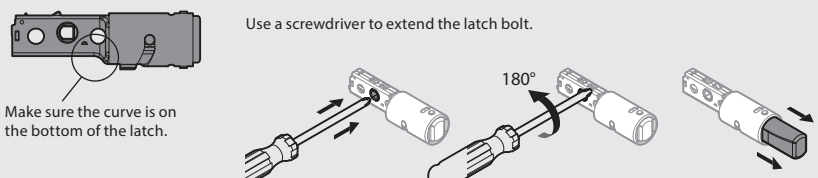
For Regular Deadbolts Models
(158, 159, 660, 665, 780, 816, 980, 985, Halifax and Milan)
[Follow steps 7 through 11](#)



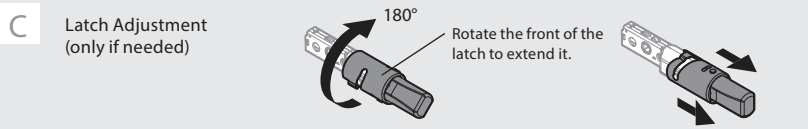
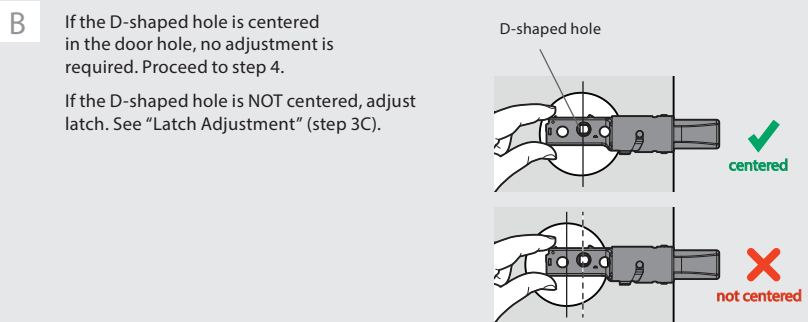
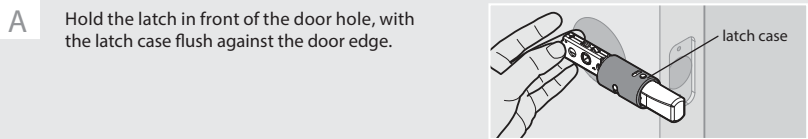
Latch

[Scroll to the bottom if you need help in preparing your door](#)

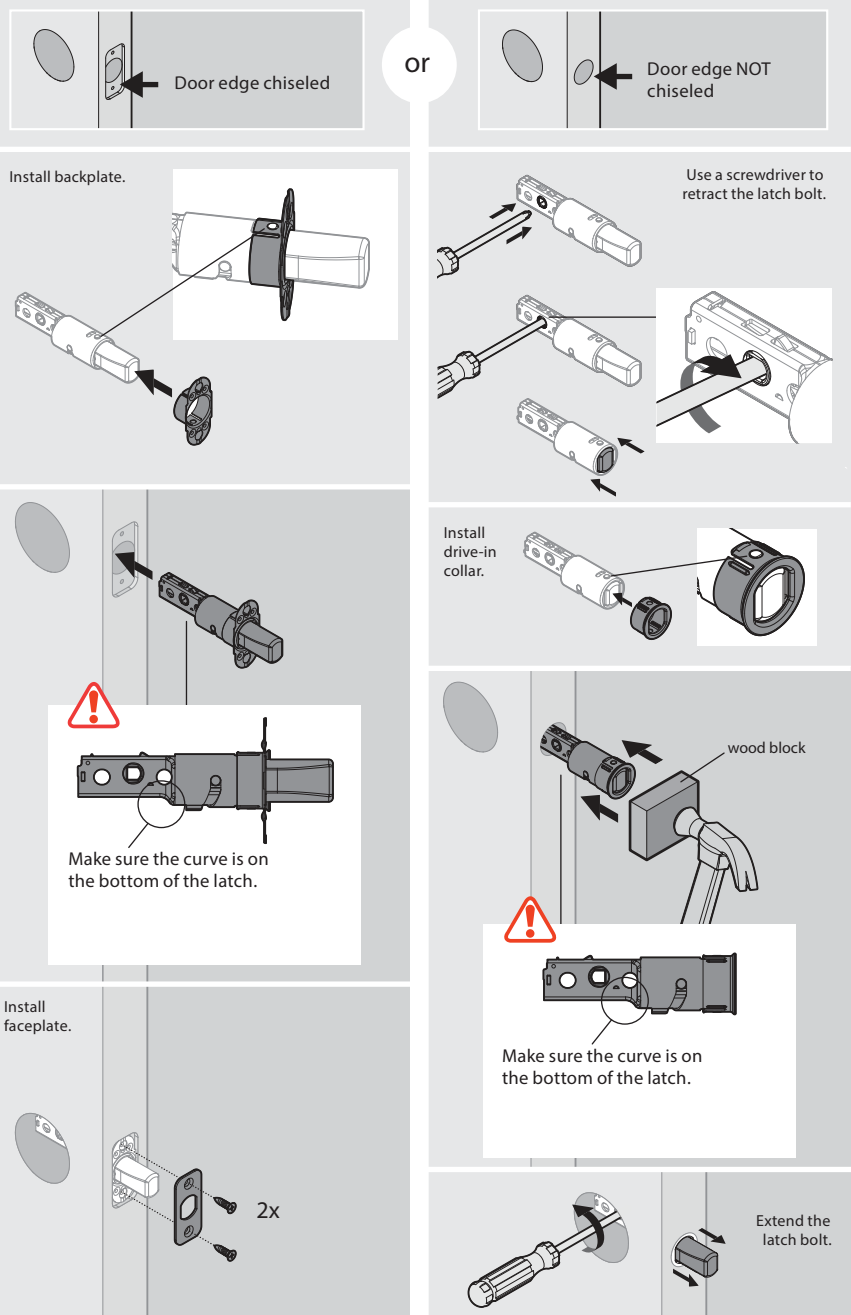
1 Extend latch bolt (Low profile models)



2 Adjust the backset of the latch (if needed)

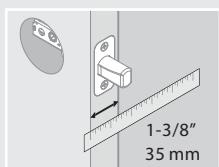


3 Install Latch

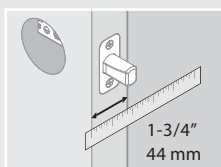


4 Determine required mounting screws

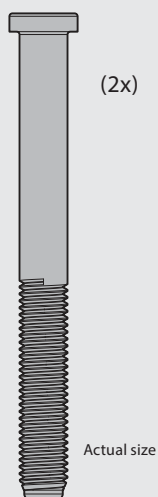
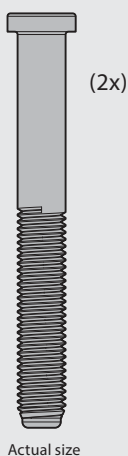
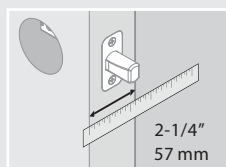
Measure the thickness of your door to determine the required mounting screws for step 6.



or



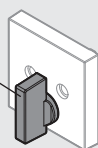
or



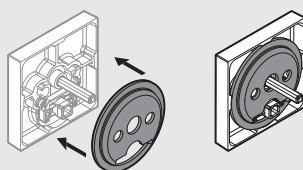
Call Kwikset to order a service kit for 2-1/4" (57 mm) thick doors. Use the screws provided in the kit.

5 Install deadbolt interior (Low profile models)

A Make sure turnpiece is vertical.



B Mounting plate should be pre-installed on interior. If removed, re-install.



C

interior

torque blade

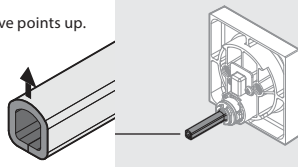
latch cam

Make sure latch bolt is fully extended.

6 Install deadbolt exterior

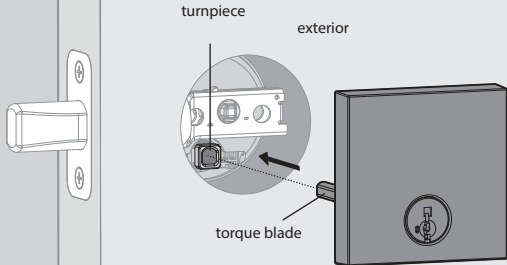
A

Curve points up.



B

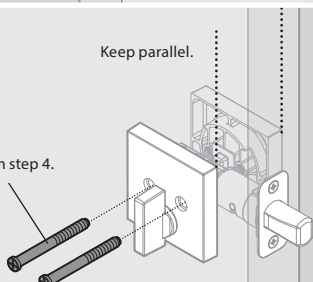
Support deadbolt interior while installing exterior.



C

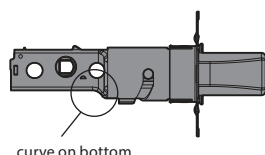
Keep parallel.

Use screws from step 4.



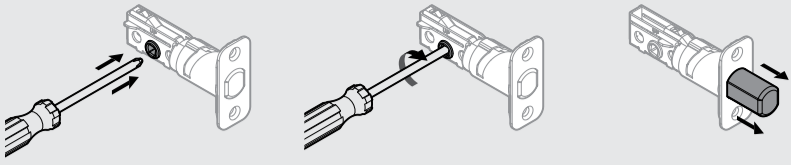
Troubleshooting

If the screws are difficult to tighten, make sure the latch is installed correctly.



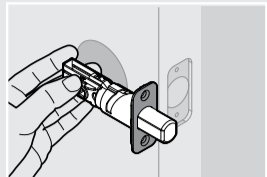
To finalize your installation, proceed to Step 12.

7 Extend latch bolt (Regular deadbolt models)

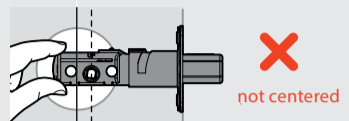
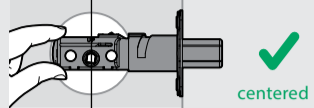


8 Adjust the backset of the latch (if needed)

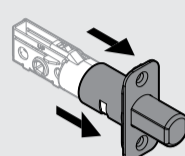
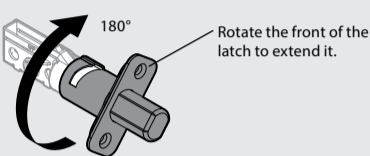
A Hold the latch in front of the door hole, with the latch face flush against the door edge.



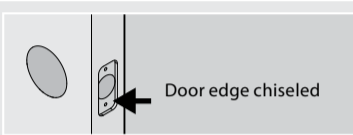
B If the latch holes are centered in the door hole, no adjustment is required. Proceed to step 9.
If the D-shaped hole is NOT centered, adjust latch. See "Latch Adjustment" (step 8C).



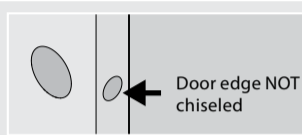
C Latch Adjustment (only if needed)



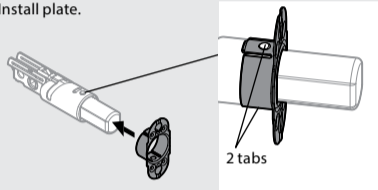
9 Prepare latch (if not pre-assembled)



or

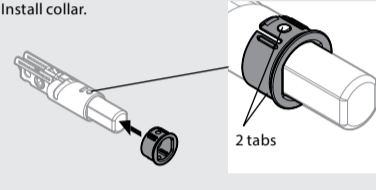


Install plate.



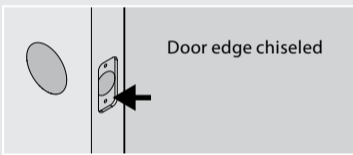
Ensure plate snaps into place.
⚠ Pull plate to test for tight fit.

Install collar.

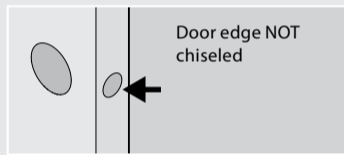


Ensure collar snaps into place.
⚠ Pull plate to test for tight fit.

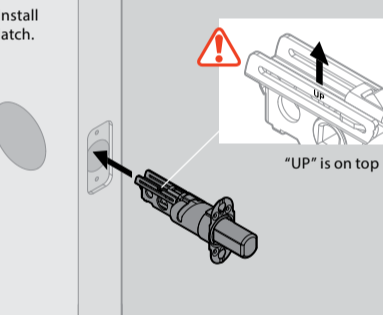
10 Install latch (Regular deadbolt models)



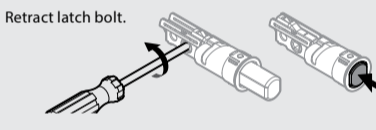
or



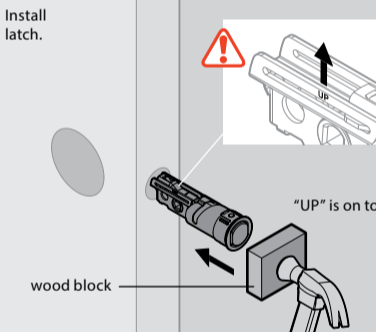
Install latch.



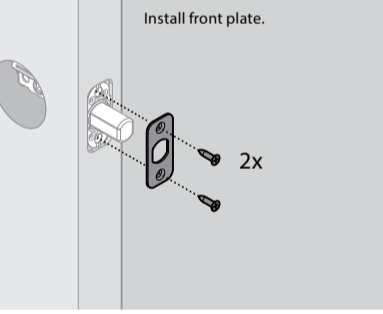
Retract latch bolt.



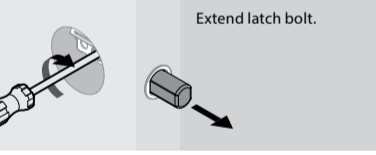
Install latch.



Install front plate.



Extend latch bolt.



11 Install deadbolt (Regular deadbolt models)

A Remove cover plate from interior cylinder (For double cylinders only).

Remove interior cylinder.

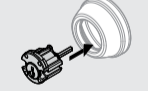


Pull paper tab to remove cover plate.



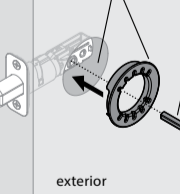
Interior cylinder has holes.

Reinstall cylinder. Do not reinstall cover plate.



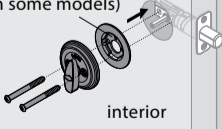
B Install deadbolt exterior.

⚠ Not available with all models

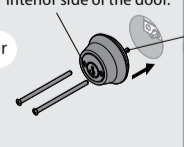


Rotate torque blade to align with D-shaped hole.

C Install deadbolt interior. (Ring adapter available with some models)



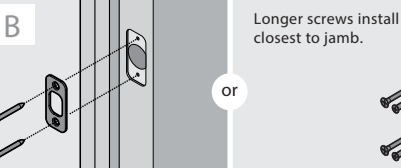
The cylinder with holes should be installed on the interior side of the door.



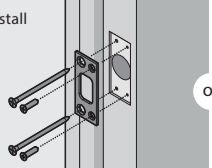
Insert interior torque blade into exterior torque blade.

12 Install strike on door frame

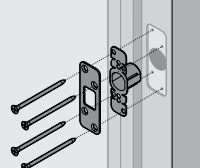
A ⚠ Make sure hole in door frame is drilled a minimum of 1 in (25mm) deep.



or

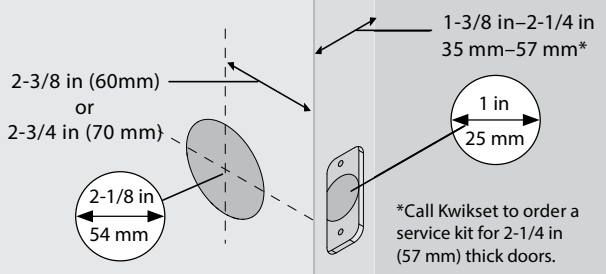


or



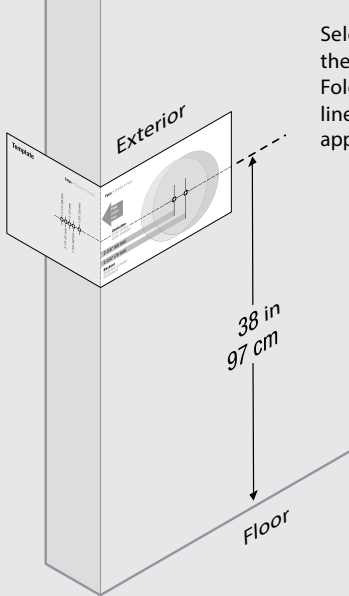
Preparing Your Door

For consumers requiring the door prep template, please visit: [Drilling instructions](#)



Use template to mark holes on door

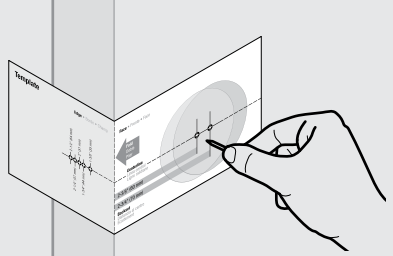
A



Select the template that allows you to place the template on the EXTERIOR side of door. Fold template along fold line and place fold line along the edge of door. Place centerline approximately 38 in (97 cm) from the floor.

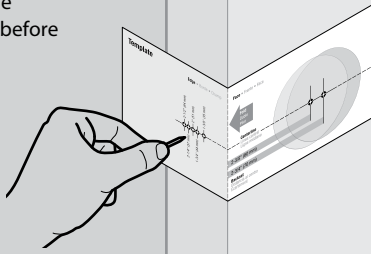
B

Mark hole on the face of the door. Select desired backset before marking hole. If there is another hole in the door, or if you are drilling double doors, make sure to keep the backset consistent.



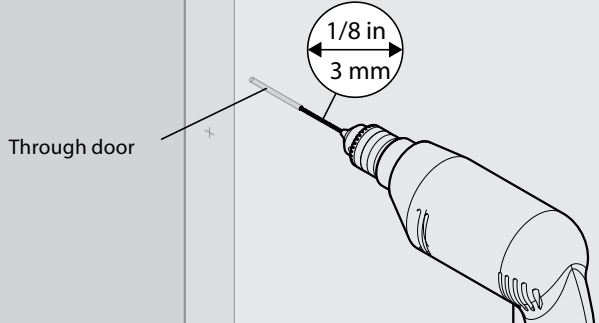
C

Mark hole on the edge of the door. Select door thickness before marking hole.

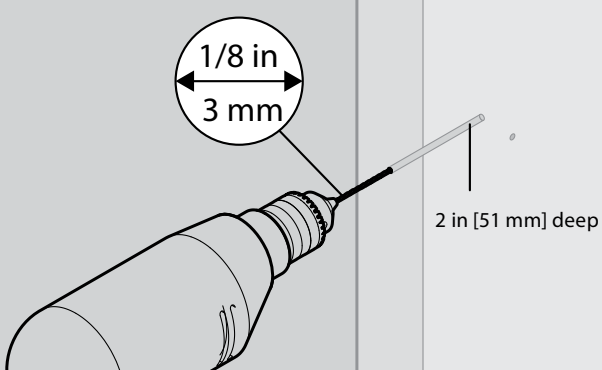


Drill holes in door

A

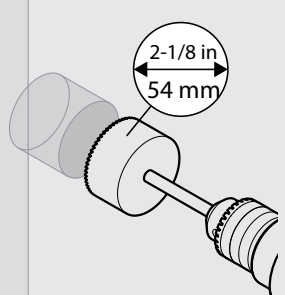


B

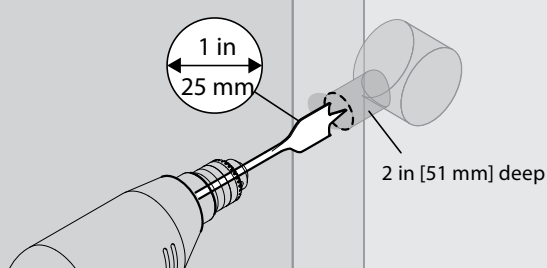


C

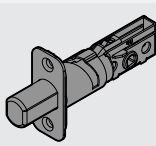
Drill from one side until the point of drill just breaks through, then complete hole from the other side to prevent splintering.



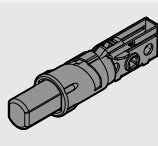
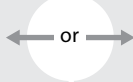
D



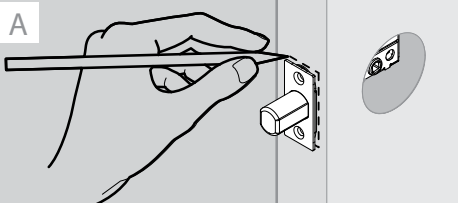
Determine which latch will be installed and prepare door edge



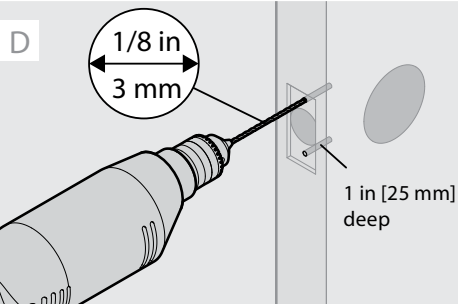
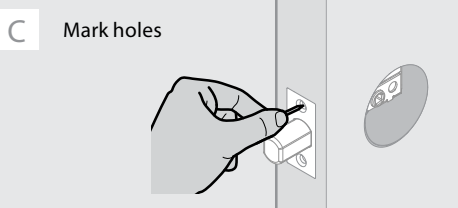
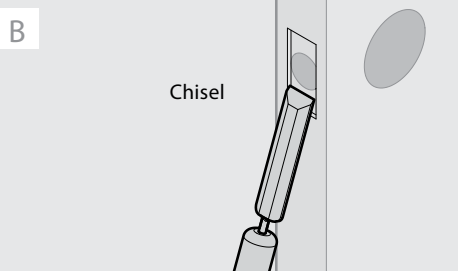
Latch with rectangular faceplate



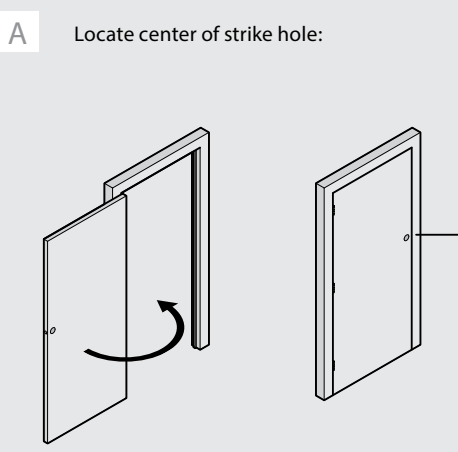
Latch with drive-in collar



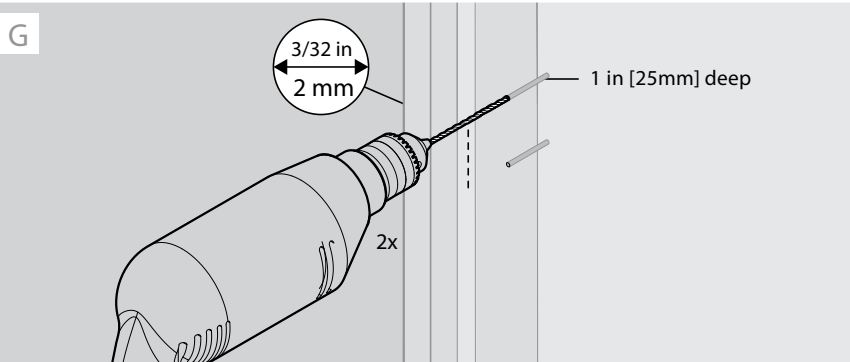
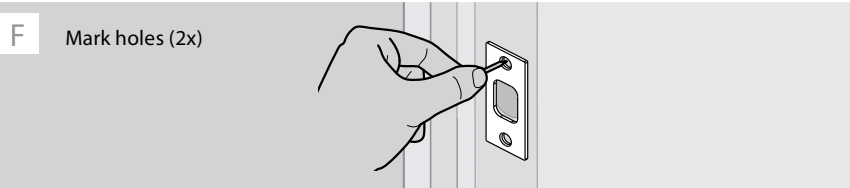
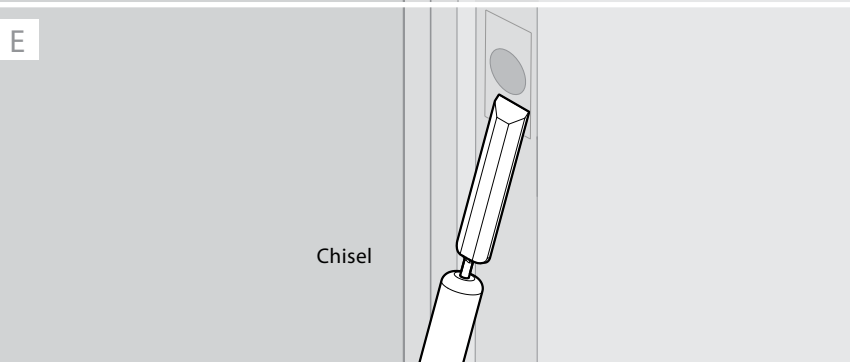
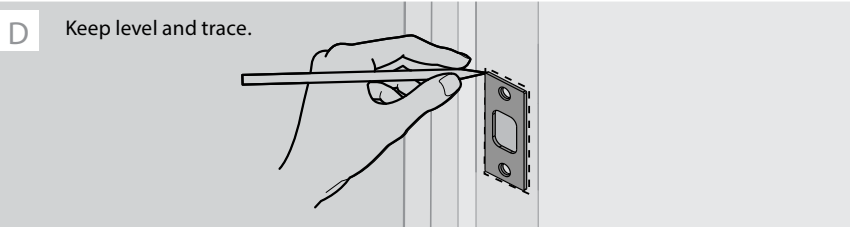
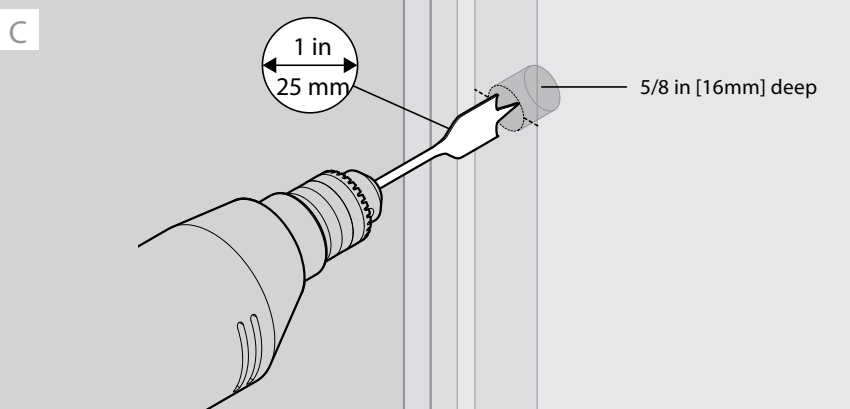
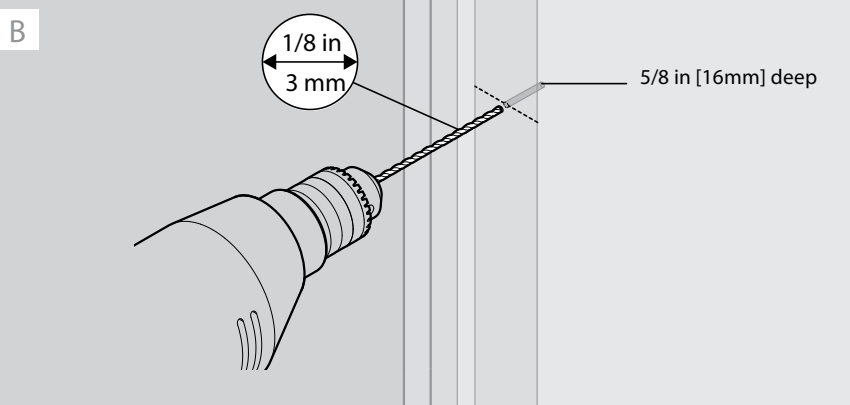
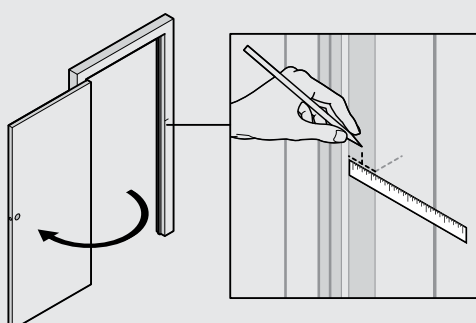
Proceed to Next Step.



Prepare door frame for strike



Measure back from door stop, 1/2 thickness of door.



Register your product at www.kwikset.com/productregistration
Rate your product at www.kwikset.com/reviews

⚠ WARNING: This Manufacturer advises that no lock can provide complete security by itself. This lock may be defeated by forcible or technical means, or evaded by common sense on the property. No lock can substitute for caution, awareness of your environment, and common sense. Builder's hardware is available in multiple performance grades to suit the application. In order to enhance security and reduce risk, you should consult a qualified locksmith or other security professional.